



AUN/SEED-Net



8th **AUN/SEED-Net** REGIONAL CONFERENCE ON ELECTRICAL AND ELECTRONICS ENGINEERING

Envision, Enable, and Empower
Smarter and Resilient Societies

co-located with

11th **ERDT Conference** on Semiconductor and Electronics, Information and Communications Technology and Energy

16-17 November 2015
Metro Manila, Philippines



**Proceedings of the 8th AUN/SEED-Net RCEEE 2015 and 11th ERDT Conference
on Semiconductor and Electronics, Information and Communications Technology, and Energy**

Editors:

Dr. Joel Joseph S. Marciano Jr.

Dr. Jhoanna Rhodette I. Pedrasa

Dr. Rhandley D. Cajote

© Copyright 2015 by the Electrical and Electronics Engineering Institute, College of Engineering, University of the Philippines Diliman, Engineering Research and Development for Technology, and ASEAN University Network/Southeast Asia Engineering Education Development Network (AUN/SEED-Net).

All rights reserved.

No part of this publication may be reproduced, stored in a retrieval system, or transmitted in any form without the consent of the editors of the Proceedings of the 8th AUN/SEED-Net RCEEE 2015 and 11th ERDT Conference on Semiconductor and Electronics, Information and Communications Technology, and Energy.

ISBN: 978-616-406-075-3

Published by: ASEAN University Network / Southeast Asia Engineering Education Development Network
(AUN/SEED-Net) JICA Project
Faculty of Engineering, Bldg. 2
Chulalongkorn University, Bangkok
Thailand 10330

Printed in the Philippines by: ERZALAN PRINTING PRESS
45 Cotabato Street, Luzviminda Village, Batasan Hills, Quezon City, Philippines

8th AUN/SEED-Net Regional Conference on Electrical and Electronics Engineering 2015

co-located with

11th ERDT Conference on Semiconductor and Electronics, Information and Communications Technology, and Energy

Envision, Enable and Empower Smarter and Resilient Societies

Published by: ASEAN University Network / Southeast Asia Engineering Education Development Network (AUN/SEED-Net) in partnership with Engineering Research and Development for Technology (ERDT) and University of the Philippines Diliman.

© Copyright 2015

No part of this publication may be reproduced without the consent of the editors of the Proceedings of the 8th AUN/SEED-Net Regional Conference on Electrical and Electronics Engineering 2015 and 11th ERDT Conference on Semiconductor and Electronics, Information and Communications Technology, and Energy.

ISBN: 978-616-406-075-3

PARAMETER EXTRACTION OF OPTOELECTRONIC pH SENSOR BASED ON THE HUE ABSORBANCE OF A pH TEST STRIP

Ira C. Valenzuela * and Febus Reidj G. Cruz

School of Graduate Studies, Mapua Institute of Technology, PHILIPPINES.

* E-mail: valenzuela.ira12@gmail.com

ABSTRACT

Optical pH measurement commonly uses a strip of paper with embedded indicator. A pH test strip which has four (4) test pads changes its color when it is dipped in a sample solution. A Bogen universal indicator solution is used in one of the study to cause a color change in a sample depending on the pH of the sample. It is combined with a white light source and CMOS optical sensor chip to measure pH with color change as an input. The output voltage of the CMOS photodetector will give the equivalent pH value. This sensor can determine the pH of the sample from pH 1 to 9 in real-time. Aside from using Bogen universal indicator, paper-based indicator like test strip has also been introduced that shows color change when it is dipped in the solution. To determine the pH value of the sample, the color change of the test strip is compared to a color chart. A schematic diagram of the absorption-measuring optical module is developed. This is composed of tri-chromatic LED, photodiodes and polymer light guide. This device is able to detect the color change by measuring the optical absorbance of the urine test strip. The color change is analyzed to determine the amount of glucose, protein and red blood cells.

The purpose of this study is to extract the parameter of an optoelectronic pH sensor based on the hue absorbance of the pH test strip and be implemented on Simulation Program with Integrated Circuit Emphasis (SPICE). Through experiments using a devised sensor module, highest linearity is obtained when the I_{LED} is 20 mA. The sensitivity of the device at pad 1 is 0.4217 mV/pH with a correlation coefficient of 0.8177, pad 2 is 0.3667 V/pH with a correlation coefficient of 0.9597, pad 3 is 0.2659 V/pH with a correlation coefficient of 0.09923, and pad 4 is 0.0347 V/pH with a correlation coefficient of 0.9948. It outputs the RGB Hue levels (in voltage) of the pH test strip.

Optoelectric characteristics of the pH sensor are described by the result acquired in the experiments on parameter extraction. The transconductance of the device is derived based on the phototransistor current and pH-dependent voltage. The extracted parameters used on the equivalent circuit of the optoelectronic pH sensor is simulated on SPICE. The percent error between the responses on experimental and simulation of the test pads 1, 2, 3 and 4 are 10.28%, 0.01%, 0.34% and 0.86% respectively. Based on these results, an optoelectronic pH sensor model is developed.

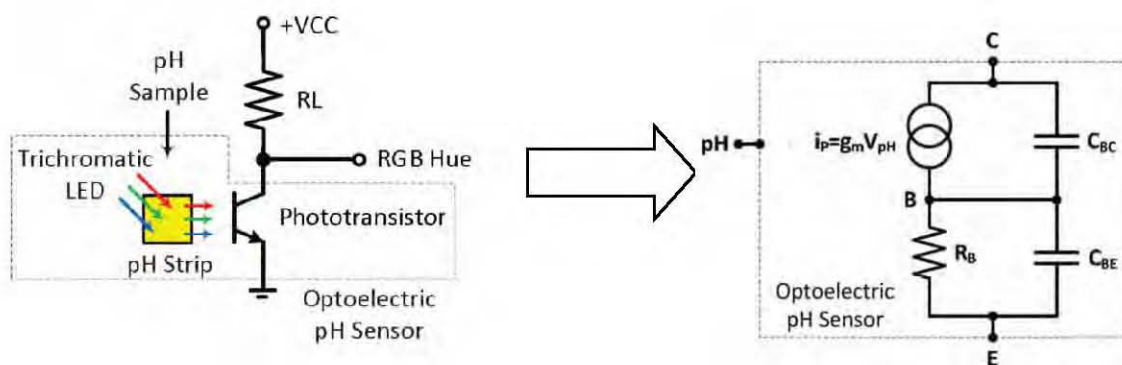


Figure 1. Optoelectronic pH sensor to equivalent SPICE Model

